

JOB \_\_\_\_\_ ITEM # \_\_\_\_\_ QTY # \_\_\_\_\_

## MODEL NUMBER:

- |                                  |                                  |                                  |
|----------------------------------|----------------------------------|----------------------------------|
| <input type="checkbox"/> R1-BEV1 | <input type="checkbox"/> R5-BEV1 | <input type="checkbox"/> R3-BEV2 |
| <input type="checkbox"/> R2-BEV1 | <input type="checkbox"/> R6-BEV1 | <input type="checkbox"/> R4-BEV2 |
| <input type="checkbox"/> R3-BEV1 | <input type="checkbox"/> R1-BEV2 | <input type="checkbox"/> R5-BEV2 |
| <input type="checkbox"/> R4-BEV1 | <input type="checkbox"/> R2-BEV2 | <input type="checkbox"/> R6-BEV2 |

## DIMENSIONS:

- R1-BEV1 - 36"H x 30"D X 28"L
- R2-BEV1 - 36"H x 30"D X 36"L
- R3-BEV1 - 36"H x 30"D X 50"L
- R4-BEV1 - 36"H x 30"D X 60" L
- R5-BEV1 - 36"H x 30"D X 74"L
- R6-BEV1 - 36"H x 30"D X 96"L
- R1-BEV2 - 36"H x 30"D X 28"L
- R2-BEV2 - 36"H x 30"D X 36"L
- R3-BEV2 - 36"H x 30"D X 50"L
- R4-BEV2 - 36"H x 30"D X 60" L
- R5-BEV2 - 36"H x 30"D X 74"L
- R6-BEV2 - 36"H x 30"D X 96"L

## STANDARD COLORS

- Wine Red (RAL 3005)
- Signal Red (RAL 3001)
- Yellow (RAL 1021)
- Light Blue (RAL 5012)
- Gentiane Blue (RAL 5010)
- Water Blue (RAL 5021)
- Moss Green (RAL 6005)
- Squirrel Gray (RAL 7000)
- Black
- White
- Custom colors available
- Optional Graphics Packages available

## COMMON OPTIONS

- Tray slides
- Cutting boards
- Under storage, hinged doors
- See reverse side for additional options.

## WARRANTY

- One year parts and labor. Warranty is detailed on inside front cover of the price list.



R6-BEV1 shown with optional RSRTS, ROU and RHD

Designed to keep your serving area clean and functional, these Piper Beverage Counters are sure to complete your line-up. The standard full length drains will keep hazardous spills from your floors. Units are a full 30" deep to accommodate nearly all coffee makers.

The versatile modular design allows you to design a cafeteria or buffet unit to fit your line-up. All Reflections units are compatible and will interlock with other Reflections units.

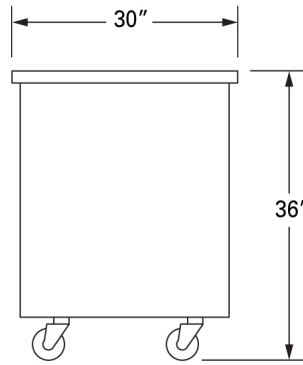
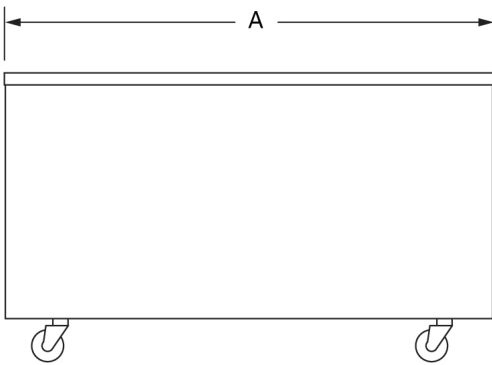
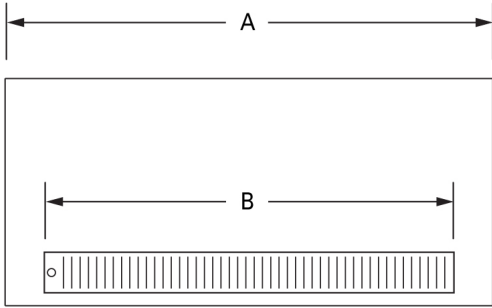
## STANDARD FEATURES

- Seamless, molded FRP body with smooth exterior and rounded corners
- 14-gauge stainless steel top with fully welded square turndowns on all sides
- Enclosed base
- Under bracing for heavier loads
- 4-1/2" wide stainless steel removable grate for easy access
- 3/4" FPT ball valve provided under unit
- 4" diameter swivel plate casters with brakes
- Interlocking mechanism is provided to interlock with other Reflections units

## ELECTRICAL

- Optional outlet locations must be specified

SPEC B-8



Model #	# of Wells	L	W	H	Ship Wt. (lbs)
R1-BEV1	Single Trough	28"	30"	36"	165
R2-BEV1	Single Trough	36"	30"	36"	175
R3-BEV1	Single Trough	50"	30"	36"	194
R4-BEV1	Single Trough	60"	30"	36"	235
R5-BEV1	Single Trough	74"	30"	36"	265
R6-BEV1	Single Trough	96"	30"	36"	308
R1-BEV2	Double Trough	28"	30"	36"	165
R2-BEV2	Double Trough	36"	30"	36"	175
R3-BEV2	Double Trough	50"	30"	36"	194
R4-BEV2	Double Trough	60"	30"	36"	235
R5-BEV2	Double Trough	74"	30"	36"	265
R6-BEV2	Double Trough	96"	30"	36"	308

BEV1 - single trough

BEV2 - double trough

Petite Reflections is 30" high - under counter storage is shortened and does not have intermediate shelf

## DIMENSION ADDITIONS FOR OPTIONS

- Add 8" to width for cutting board
- Add 12-3/4" to width for solid ribbed tray slide
- Add 12-1/2" to width for 3-bar tray slide

Note: Line-up drawing required when ordering interconnected units.

SPEC B-8

Part #	Description	Part #	Description
<input type="checkbox"/> R3BTS	3-bar tray slide	<input type="checkbox"/> ROU	Open under storage with shelf
<input type="checkbox"/> RBL	Stainless steel 6" adjustable bullet feet	<input type="checkbox"/> RSCB	8" stainless steel cutting board
<input type="checkbox"/> RDOUT	Duplex Outlet (120V, 15 AMP)	<input type="checkbox"/> RSES	End shelf - drop type
<input type="checkbox"/> RHD	Under storage hinged doors	<input type="checkbox"/> RSFTS	Solid flat tray slide, 16-gauge stainless steel
<input type="checkbox"/> RMCB	8" maple cutting board	<input type="checkbox"/> RSRTS	Solid 3-ribbed tray slide, 16-gauge stainless steel

## SPEC B-8

# PIPER

The Food-Focused Equipment Company

300 S. 84th Avenue | Wausau, WI 54401  
Phone: 800-544-3057 | Fax: 715-842-3125  
[www.piperonline.net](http://www.piperonline.net)

**LIMITED WARRANTY: PIPER PRODUCTS** warrants to the original purchaser parts and labor for a period of twelve (12) months from the date of purchase. See manufacturer's complete warranty for details.

It is our policy to build equipment which is design certified by companies that have been accredited at the Federal Level by the Occupational Safety and Health Agency (OSHA) and ANSI as a National Recognized Testing Laboratory. These companies include CSA International, Underwriters Laboratories, and the National Sanitation Foundation. However, a continuing program of product improvement makes it necessary to submit new models to the agencies as they are developed. Consequently, all models may not bear the appropriate labels at all times. We reserve the right to change specifications and product design without notice. Such revisions do not entitle buyer to corresponding changes, improvements, additions or replacements for previously purchased equipment. Information is not for design purposes.