

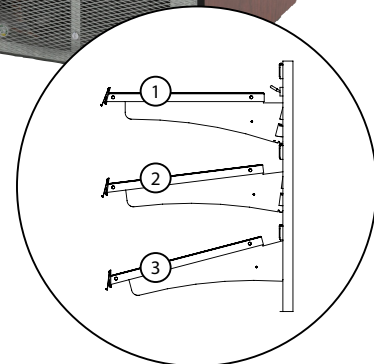
# the Piper Focus

## Grab-N-Go with Rear Access

Our merchandisers are more convenient than ever before!



Piper's Grab-n-Go merchandisers are now available with optional pass-thru doors for easy loading and unloading from behind. The airflow system is incorporated in the door so the unique design still allows product to remain cool even in ambient temperatures up to 75°F. This hi-profile merchandiser includes additional options like Rigid PVC Composite panel construction, powder coated interior, a night curtain and individually lighted shelves. Units are available in 3, 4, and 6ft lengths, in hi- or low-profile, as remote or self-contained, and in any finish to match any decor. Call your local Piper representative today to see which Grab-N-Go is right for you.



Shelves can be adjusted to (3) different angled positions

# PIPER