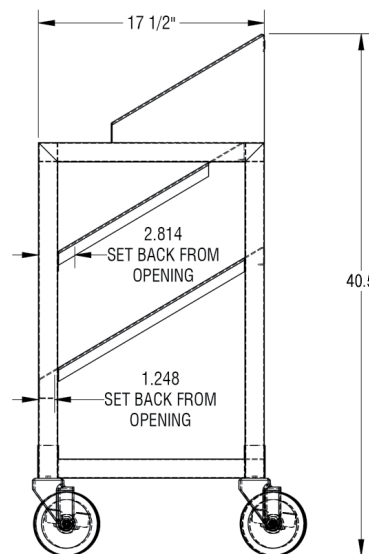
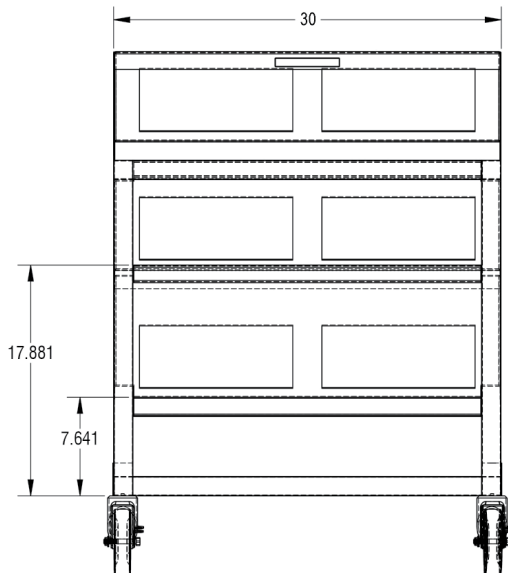
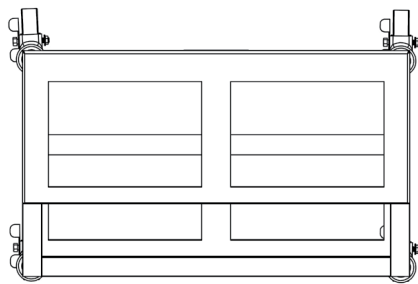


# the Piper Focus

## Condiment/Breakfast Cart

Heavy-Duty and Multi-purpose

This handy cart holds up to (6) ½-size pans, (12) ¼-size pans, or a combination of the two. The frame is constructed with 1½" square, 16 gauge stainless steel tubing and includes a top bar, which doubles as a tray slide. Pan supports are 14 gauge stainless steel and angled for better visibility. The cart is fully welded for lasting toughness. Fill it with condiments, or go full-on snack mode and load it up with fruit, granola bars, or any other tasty treat. Call Piper today and order multiple units to have all the fixin's readily available throughout your entire operation!



# PIPER

300 S. 84th Avenue • Wausau, WI 54401 • Phone: 800-544-3057 • Fax: 715-842-3125

[www.piperproducts.com](http://www.piperproducts.com)